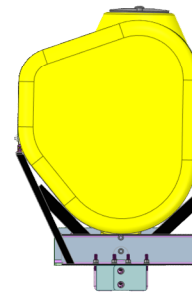
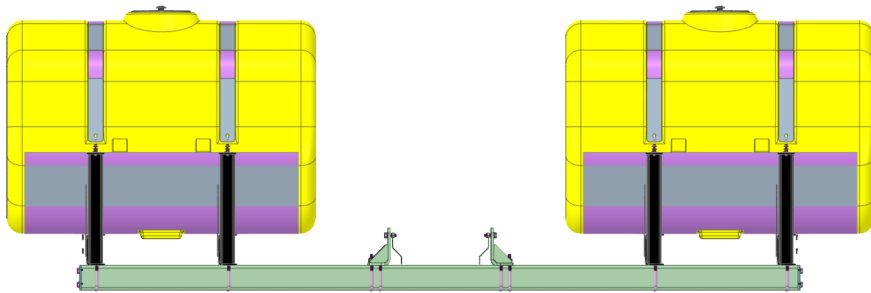
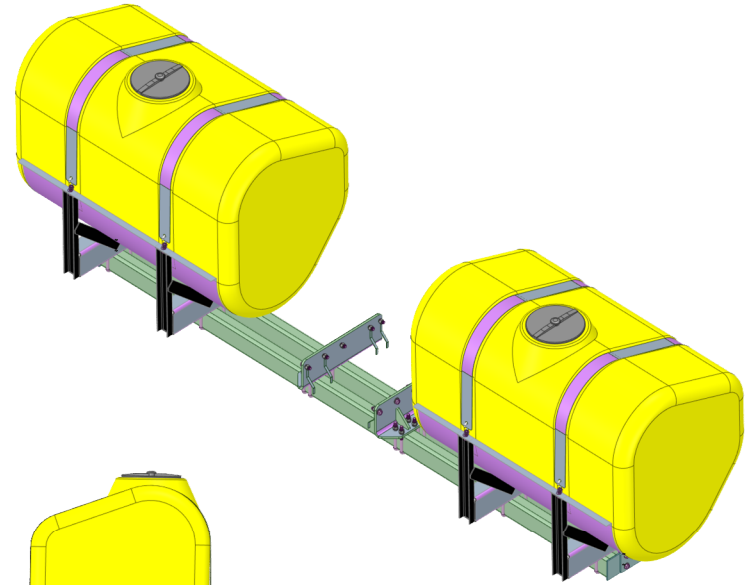
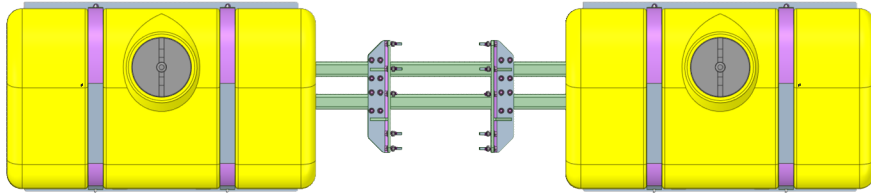


File Location: C:\Users\john\Documents\dwgs\bjm\210\2100291.scdoc



Plot Time @ 2/11/2022 11:25:38 AM

| | | | |
|--|-----------|---------------------|------|
| BIG JOHN MFG. INC CO. | | | |
| OSMOND, NE 68765 | | PHONE: 402 748 3860 | |
| DATE | DWN BY: | REV. | DATE |
| 6/26/2017 1:05:44 PM | | | |
| TITLE: ASS'Y. 600 GAL TD SYSTEM FOR 4455 2WHL DRV | | | |
| Material: | | | |
| SIZE | CAGE CODE | DWG NO. | REV |
| B | | 2100291 | |
| SCALE 1:24 | | SHEET 1 OF 1 | |