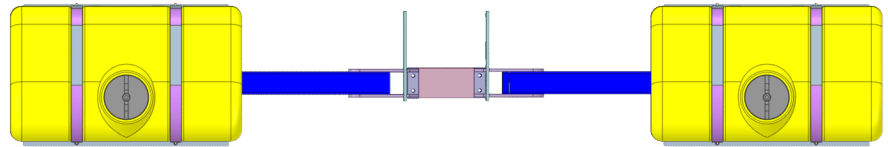
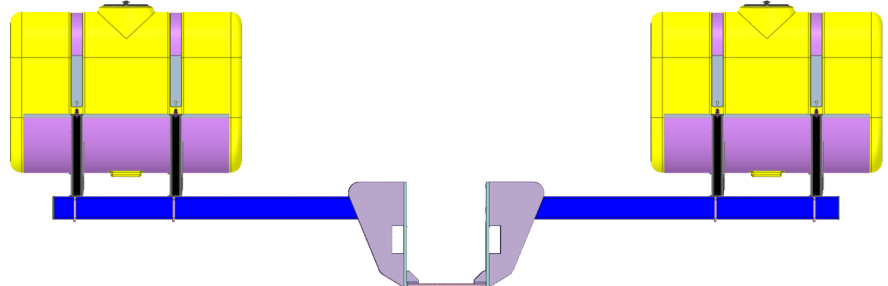
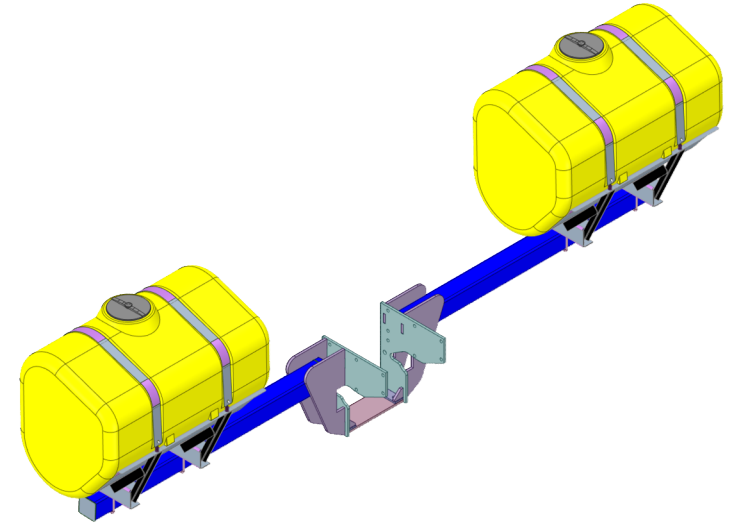


C:\Users\john\Documents\dwgs\bjm\210\2101457.scdoc

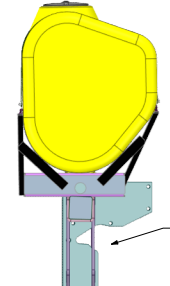
REVISION HISTORY				
REV	DESCRIPTION	INCORP BY	DATE	CHECKED



TOP VIEW

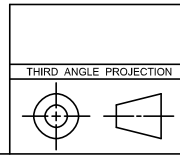


FRONT VIEW



LEFT SIDE VIEW

TRACTOR MODELS: T8.235; T8.260; T8.290; T8.310; T8.315; T8.340 & UP



CONTRACT NO.	MATERIAL
	FINISH
	TREATMENT
NEXT ASSY	USED ON
APPLICATION	SIMILAR TO

PARTS LIST			BIG JOHN MFG INC.		
INIT	APPROVALS	DATE	INIT	APPROVALS	DATE

203 N STATE STREET  
 ESCROW, NH 08745  
 PHONE: 603 748 3860  
 FAX: 603 748 3235

DATE: 10/18/17 12:53:53 PM    DRAWN BY: J310PFL    REVISION DATE:  

TITLE: ASS'Y, FINAL 600 GAL SIDE MNT SYSTEM  
 2011-14 NH T8.230 & UP

SCALE: 1:16    CAGE CODE    DWG NO. 2101457    REV. D    SHEET 1 OF 1