

4

3

2

1

D

D

C

C

B

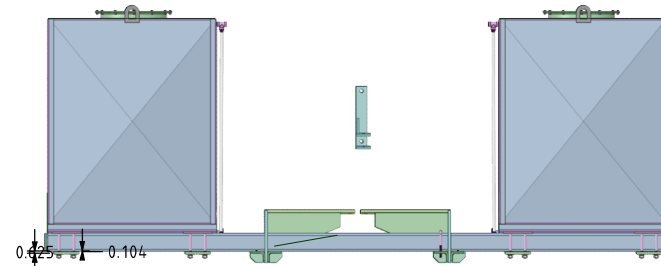
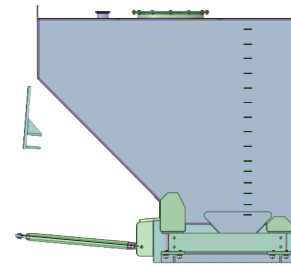
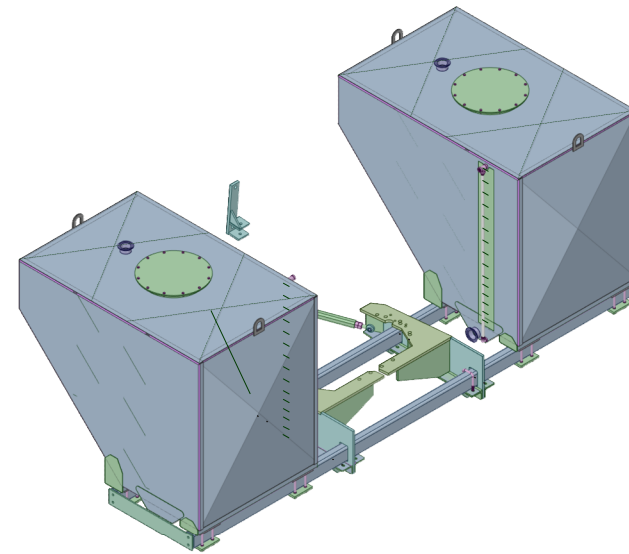
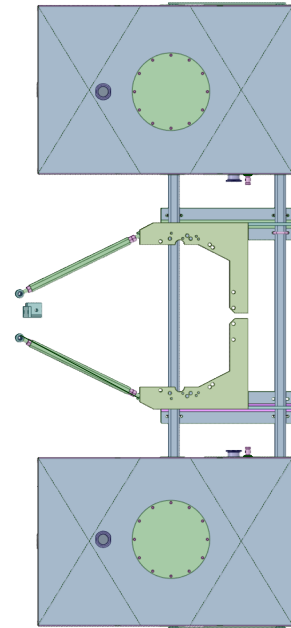
B

A

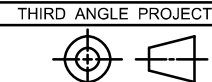
A

REVISION HISTORY

REV	DESCRIPTION	INCORP BY	DATE	CHECKED
-----	-------------	-----------	------	---------



CONTRACT NO.		MATERIAL
		FINISH
		TREATMENT
NEXT ASSY	USED ON	SIMILAR TO
APPLICATION		



QTY	REQD	ITEM NO.	PART OR IDENTIFYING NO.	NOMENCLATURE OR DESCRIPTION		
PARTS LIST						
INIT	APPROVALS	DATE	INIT	APPROVALS	DATE	BIG JOHN MFG INC. 203 N STATE ST. OSMOND, NE 68765 PHONE: 402 748 3860 FAX: 402 748 3235 DATE: 10/29/2013 2:41:22 PM BY: J STOFFEL REVISION:
SIZE	CAGE CODE	DWG NO.	2101521 stainless		REV	Z
SCALE 1:25				SHEET		OF