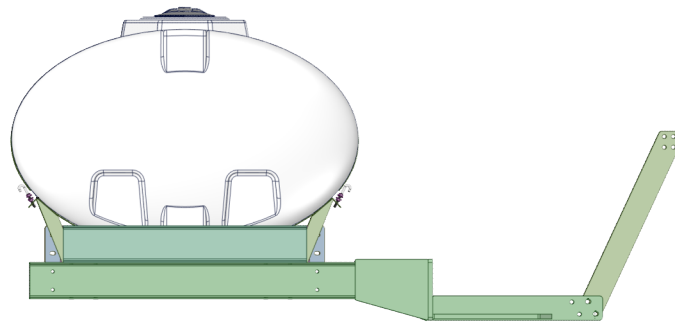
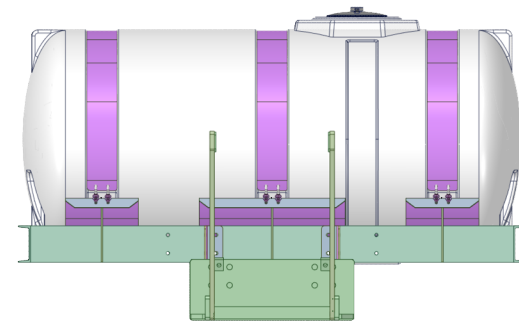
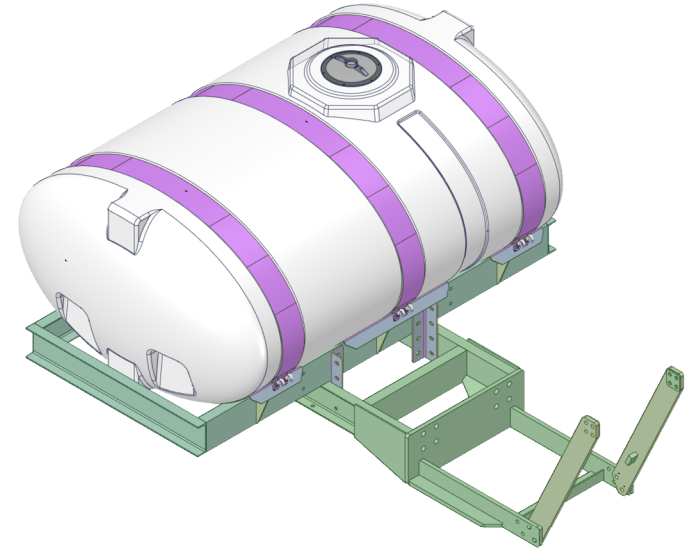


TOP VIEW



LEFT SIDE VIEW



BACK VIEW



BY: **BIG JOHN Mfg. INC.**  
OSMOND, NEBRASKA PHONE 402 748-3860

SCALE **1:30**

APPROVED BY

DWN BY **J STOFFEL**

DATE **3/29/2016 7:40:52 PM**

REV. DATE

DESC. **500 GALLON OVAL FRT MNT W/O WHT BKT  
JOHN DEERE 8520-30's SERIES & 8R SERIES**

PREPLOT TIME:

MAT'L **Unknown Material  
ASSEMBLY**

DWG NO. **3000114.2** Version